



World's Finest Products For Harley-Davidsons

XZOTIC KNUCKLE-STYLE ROCKER BOXES FOR TWIN CAM 88 MODELS

CCI #02-030 & 602101
MOTORWAY PART # 4521

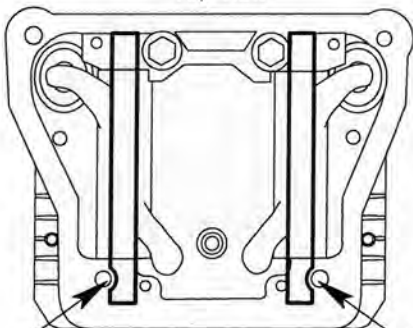
We Highly Recommend a qualified motorcycle mechanic to install this rocker box kit.

Warning: Disconnect battery cables before disassembling procedures. **Note:** If existing parts are re-installed; During removal, mark & define each location and position. For removal of existing rocker boxes use your OEM service manual. For installation procedures use this assembly drawing and your OEM service manual. When assembling, some minor modifications (trimming) to frame tabs & motor mount may be needed. Apply Loctite (CCI #35-007) onto the first three threads of all hardware.

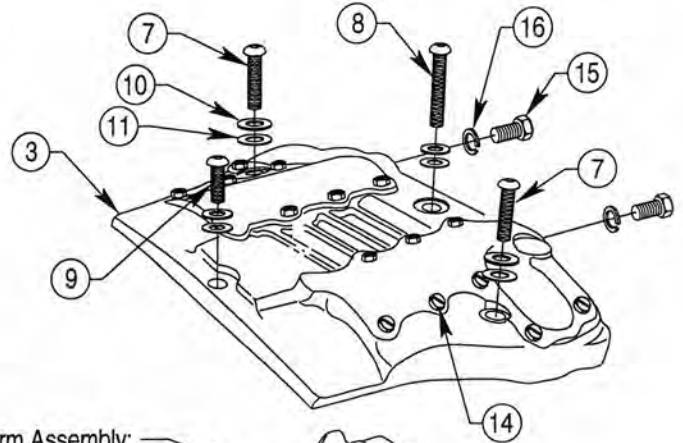
Bill Of Materials

Item	Qty.	Description
(1)	2	Bottom rocker plate
(2)	2	Side rocker cover with nuts
(3)	2	Top rocker cover
(4)	8	Socket head screws 5/16"-18x1-1/4"
(5)	4	Stand-Offs 5/16-External, 1/4"-Internal
(6)	2	Gasket
(7)	4	Button head screws 1/4"-20x1-1/2"
(8)	2	Button head screws 1/4"-20x1-3/4"
(9)	2	Button head screws 1/4"-20x1"
(10)	8	Flat washer 9/32" I.D. x 5/8" O.D.
(11)	8	Copper washer
(12)	2	Stud, longer
(13)	2	Stud, shorter
(14)	32	Cross top hex head screws
(15)	4	Hex head bolt 3/8" long
(16)	4	Lock washer 1/4" I.D.

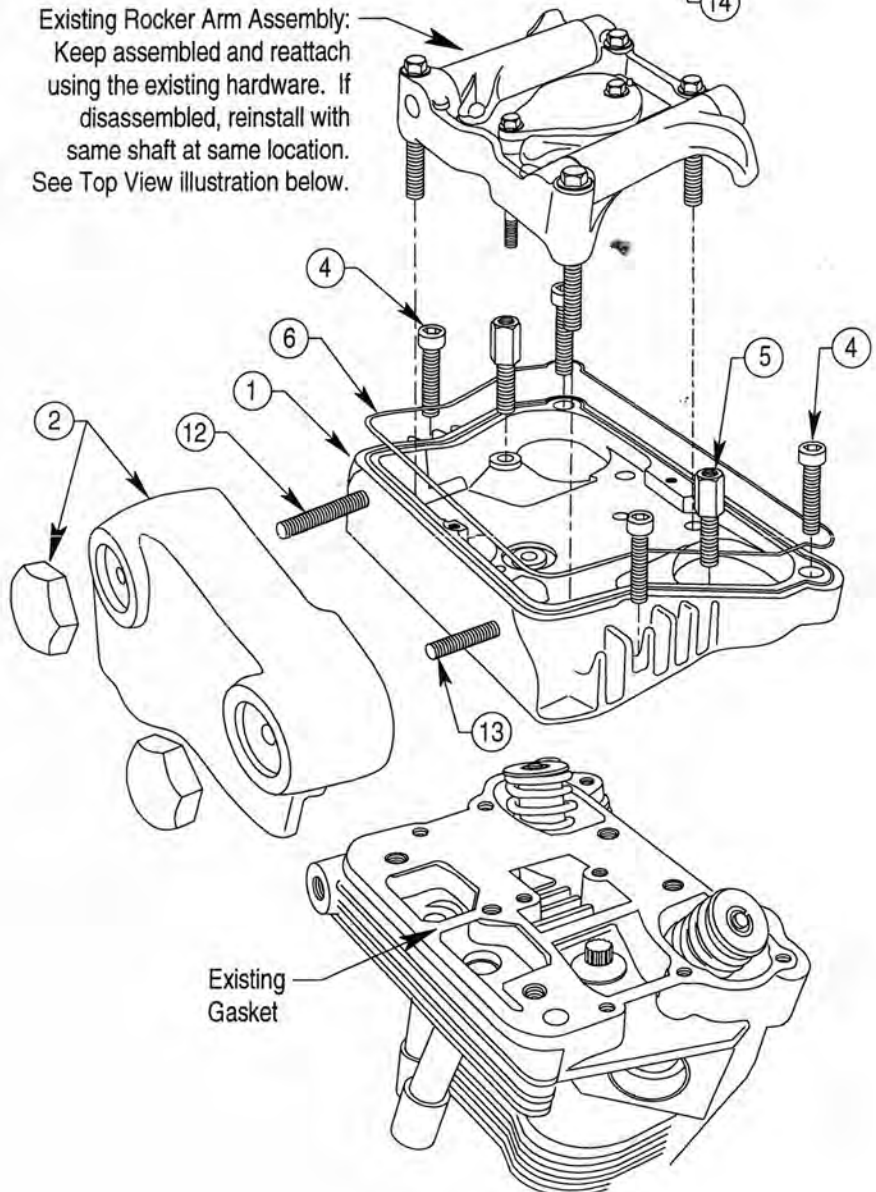
Top View



If rocker arms were removed, the existing rocker arm shafts are notched to accept the rocker arm retaining bolts. Align the notches with the bolt holes, before installing the bolts. This design prevents the rocker arm shafts from rotating when motor is running.



Existing Rocker Arm Assembly:
Keep assembled and reattach using the existing hardware. If disassembled, reinstall with same shaft at same location. See Top View illustration below.



Manufactured in the USA by

Motorway Engineering Co., Manchester, NH
603-668-6315 www.VULCANWORKS.net