

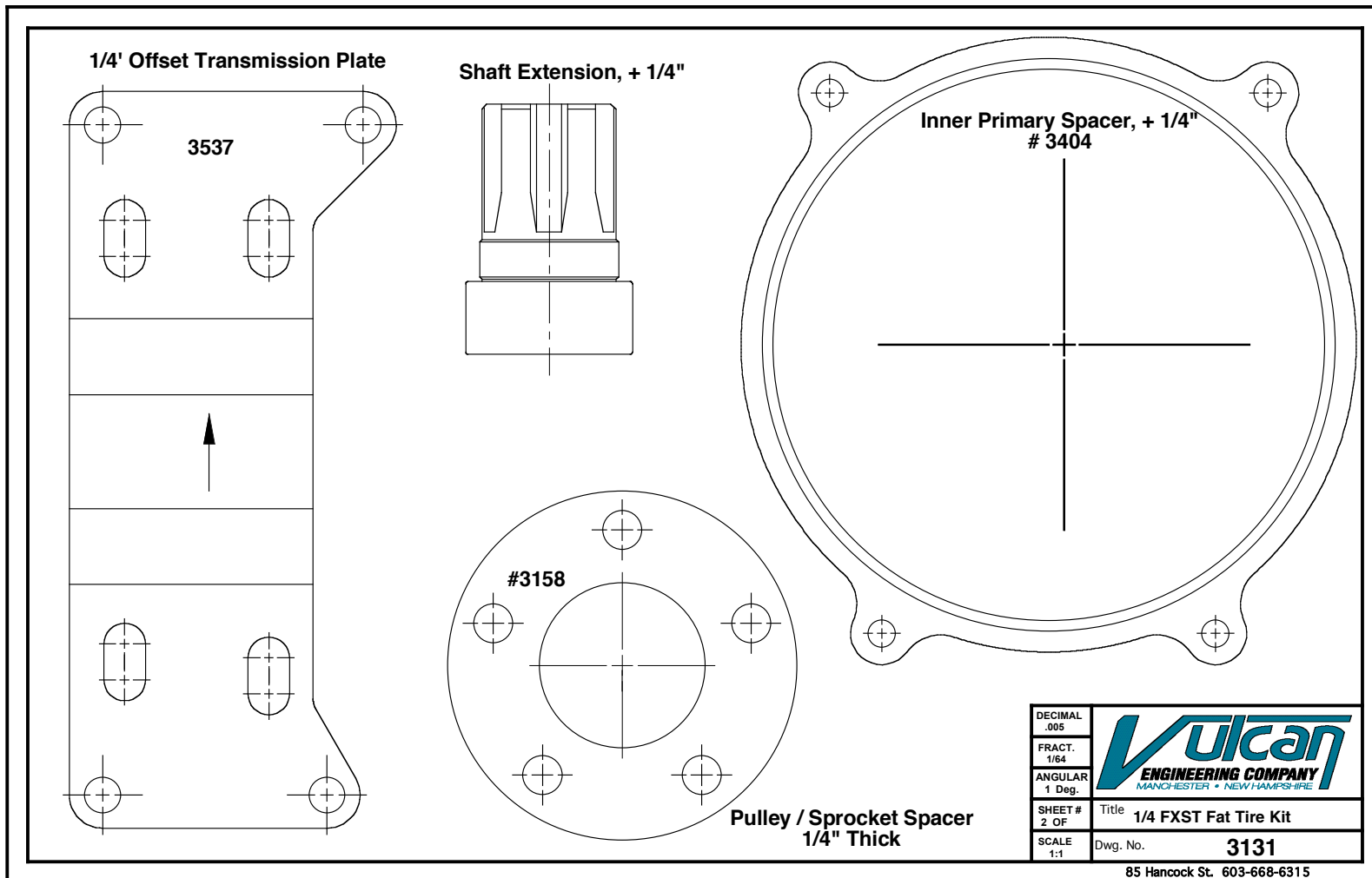
Part # 3131 5-Speed Big Twin Fat Tire Kit, 1/4" Offset

Motorway Engineering Co
35 Elm St
Manchester, NH. 03101

- (1) This Kit is for 150/160 tire in a 5-speed solid mount frame
- (2) Replace O.E.M. trans plate with the new trans plate
- (3) Slot 5th bolt mounting hole on the frame 1/4" towards inside of frame
- (4) Space sprocket with 1/4" pulley spacer
- (5) Space inner primary cover out with the 1/4" inner primary spacer ring
- (6) Replace stock shaft extension with the 1/4" offset one.

www.vulcanworks.net
603-668-6315
Fax 603-626-3882

1984-1990 FXST



DECIMAL .005	
FRACT. 1/64	
ANGULAR 1 Deg.	
SHEET # 2 OF	Title 1/4 FXST Fat Tire Kit
SCALE 1:1	Dwg. No. 3131

85 Hancock St. 603-668-6315